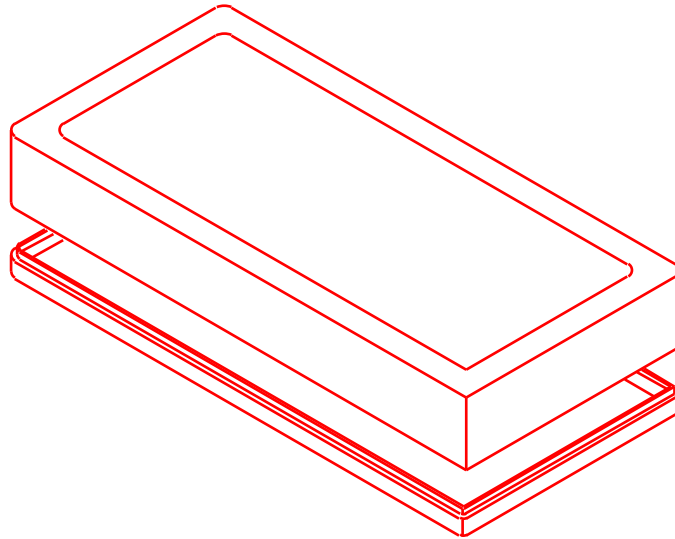


REV	DESCRIPTION	DATE

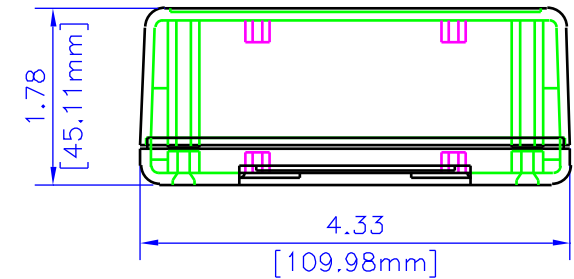
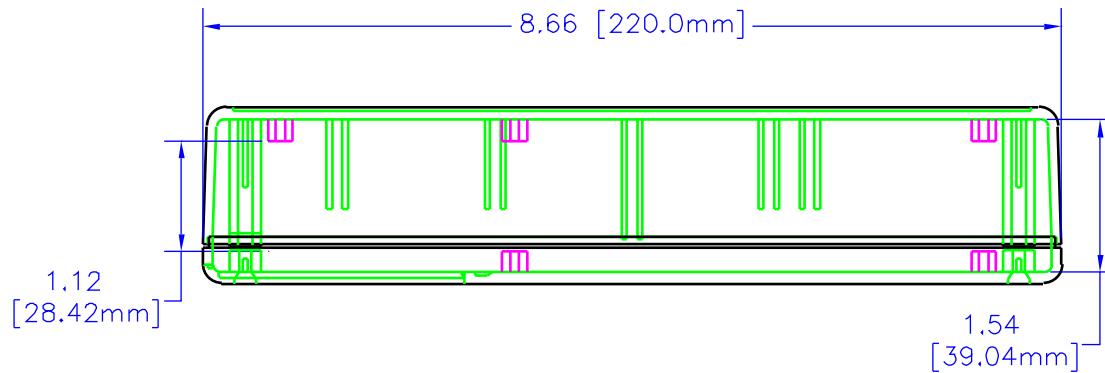


## NOTES

**MATERIAL** (ABS) FLAME RETARDANT UL94 V0 MATERIAL WITH BRASS INSERTS IN CORNER POSTS,  
(STYRENE) IS NON-FLAME RETARDANT WITHOUT BRASS INSERTS.

**PARTS** (ABS) VERSION MACHINE SCREWS M3-0.5 x 10mm,  
REPLACEMENT PN 1591MS100 (100 / BAG), (STYRENE)  
VERSION SELF TAPPING #4 x 0.5",  
REPLACEMENT PN 1591TS100 (100 / BAG),

**COLORS** (ABS) BLACK, & GRAY, (STYRENE) GRAY ONLY,



ASSEMBLED

UNLESS OTHERWISE SPECIFIED  
DIMENSIONS ARE IN INCHES.

x	+/- .1
xx	+/- .02
xxx	+/- .015
CUTS	+/- .005
ANGLES	+/- .5 DEG.

NOTES:  
HAMMOND CLAIMS PROPRIETARY RIGHTS TO THE MATERIAL ON THIS DRAWING, IT IS INTENDED TO BE USED AS A REFERENCE FOR ENGINEERING INFORMATION ONLY. THIS INFORMATION MAY NOT BE USED TO MANUFACTURE PRODUCT WITHOUT WRITTEN PERMISSION FROM HAMMOND MANUFACTURING.

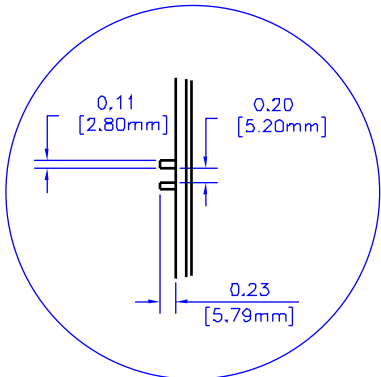
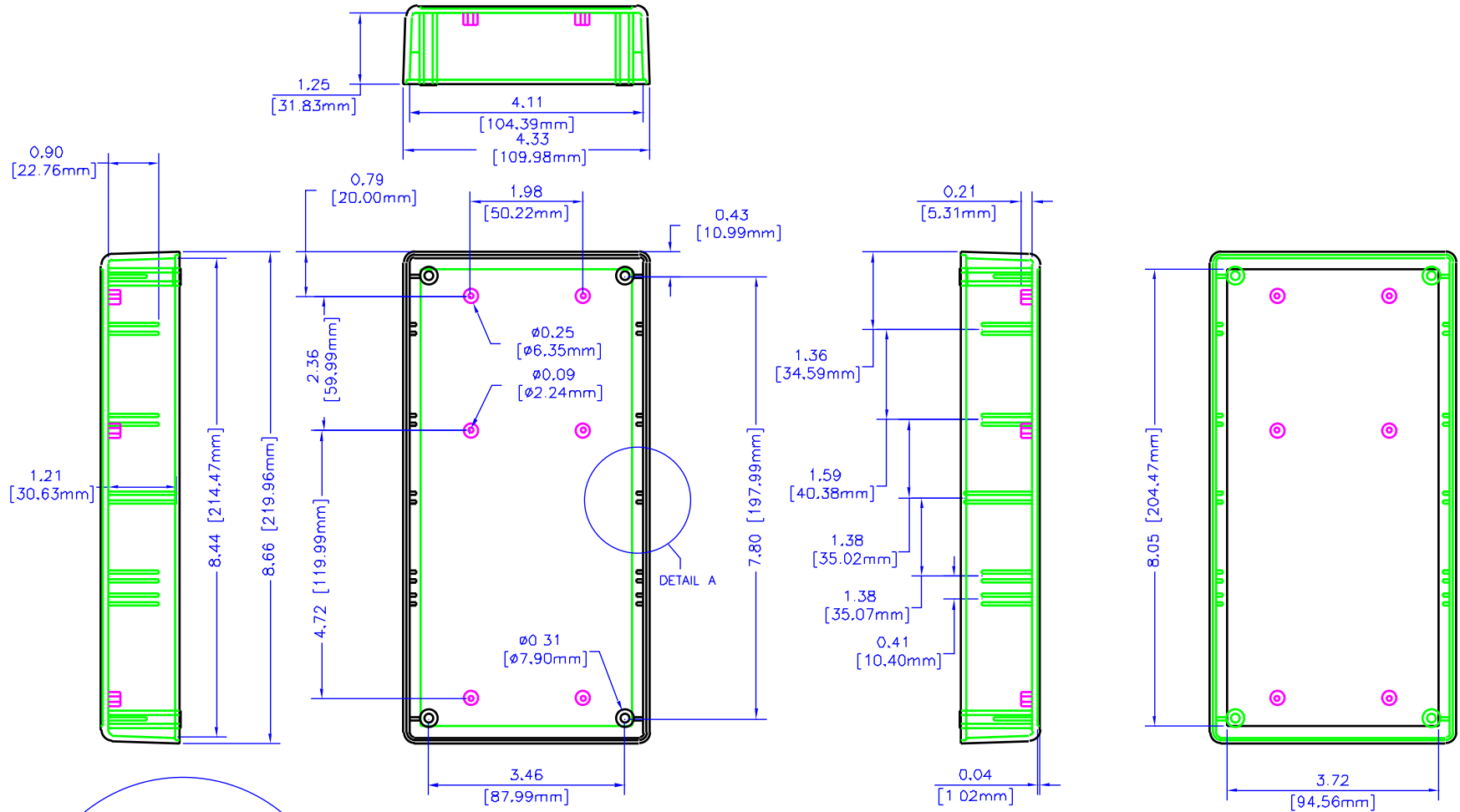


**HAMMOND  
MANUFACTURING**

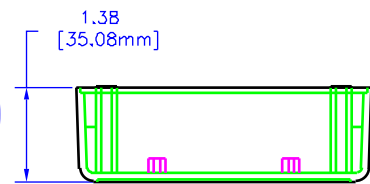
WEB: [WWW.HAMMONDMFG.COM](http://WWW.HAMMONDMFG.COM)

TITLE	
HAMMOND 1599 SERIES PLASTIC ENCLOSURE	
DRAWN BY	DATE
MJM	07/06/01
SCALE	PAGE
	1 OF 3
PART NUMBER	
1599HBAT	

# NOTES



DETAIL A



APPROXIMATE 2 DEG. DRAFT ANGLE

BOX

UNLESS OTHERWISE SPECIFIED DIMENSIONS ARE IN INCHES	
X	+/- .1
XX	+/- .02
XXX	+/- .015
FILLS	+/- .005
ANGLES	+/- 8 DEG
NOTES	
HAMMOND OWNS PROPRIETARY RIGHTS TO THE MATERIAL ON THIS DRAWING. IT IS INTENDED TO BE USED AS A REFERENCE FOR ENGINEERING INFORMATION ONLY. THIS INFORMATION MAY NOT BE USED TO MANUFACTURE PRODUCT WITHOUT WRITTEN PERMISSION FROM HAMMOND MANUFACTURING.	



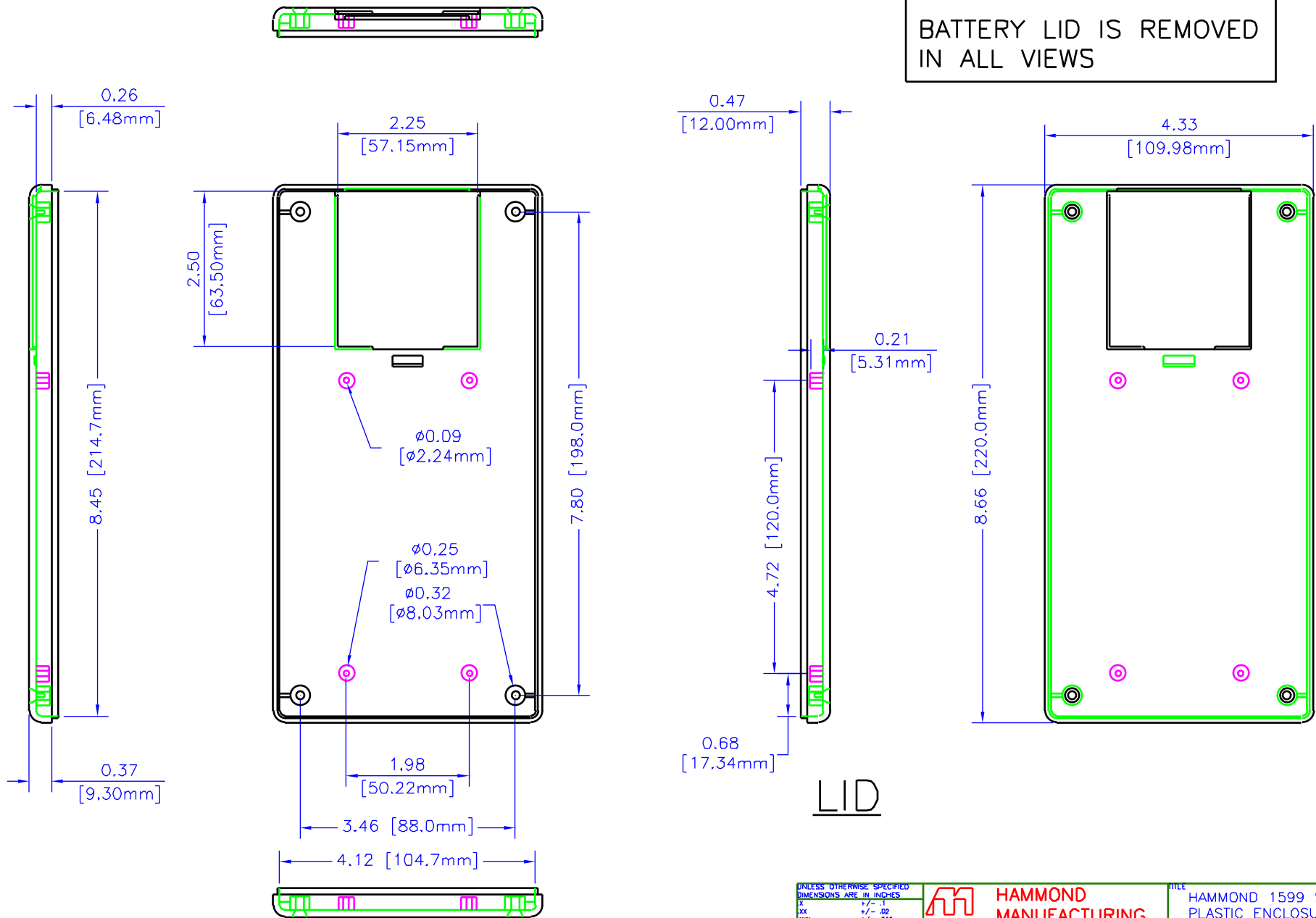
**HAMMOND  
MANUFACTURING**

WEB: [WWW.HAMMONDMFG.COM](http://WWW.HAMMONDMFG.COM)

TITLE		HAMMOND 1599 SERIES PLASTIC ENCLOSURE	
DRAWN BY	MJM	DATE	07/06/01
SCALE		PAGE	2 OF 3
PART NUMBER		1599HBT	

# NOTES

BATTERY LID IS REMOVED  
IN ALL VIEWS



LID

UNLESS OTHERWISE SPECIFIED  
DIMENSIONS ARE IN INCHES  
XX +/- .1  
XXX +/- .02  
XXXX +/- .015  
DITS +/- .005  
ANGLES +/- .5 DEG.  
NOTES:  
HARDWARE SHALL BE REFERENCED TO THE MATERIAL OR THIS DRAWING. IT IS INTENDED TO BE USED AS A REFERENCE FOR ORDERING INFORMATION ONLY. THE MANUFACTURER MAY NOT BE USED TO MANUFACTURE PRODUCT WITHOUT WRITTEN PERMISSION FROM HAMMOND MANUFACTURING.



WEB: [WWW.HAMMONDMFG.COM](http://WWW.HAMMONDMFG.COM)

TITLE  
HAMMOND 1599 SERIES  
PLASTIC ENCLOSURE  
DRAWN BY MJM DATE 07/06/01  
SCALE PAGE 3 OF 3  
PART NUMBER  
1599HBAT